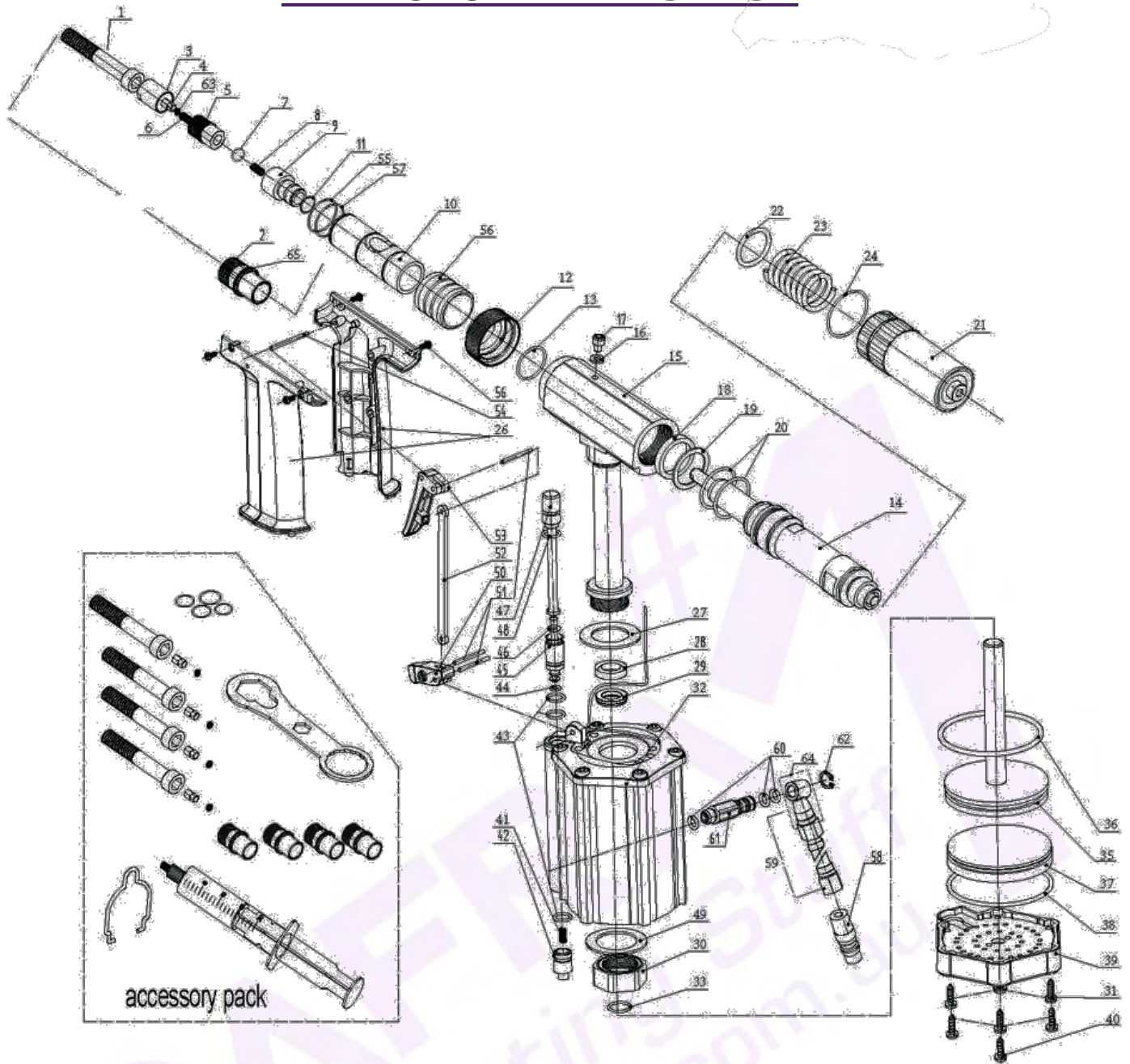


DNPB328 – PARTS LIST



PART POSITION	PART CODE	DESCRIPTION	QTY in Tool/Kit
1	P03006-00	mandrelM8 metric	1
2	P00306-00	anvil M8	1
3	P00481-00	connect sleeve	1
4	P00494-00	transfer bar M8	1
5	P00482-00	spring house	1
6	P03003-00	spring	1
7	F60074-00	O-ring	1
8	F00101-00	pin	1
9	P00315-00	adjust sleeve	1
10	P00483-00	nose pedestal	1

DNPB328 – PARTS LIST

PART POSITION	PART CODE	DESCRIPTION	QTY in Tool/Kit
11	F00011-00	O-ring	1
12	P00317-00	knurled cover	1
13	P00318-00	wire circlip	1
14	A00100-00	assembly air motor	1
15	A00101-00	assembly oil cylinder with DAFRA logo DNPB328	1
16	F00002-00	washer	1
17	P00009-00	screw	1
18	F00103-00	U-ring	1
19	P00319-00	piston pin washer	1
20	F00027-00	O-ring	2
21	A00102-00	compressed spring pedestal	1
22	F00104-00	O-ring	1
23	P00323-00	return spring	1
24	F00105-00	O-ring	1
25	P00039-00	screw	4
26	A00008-00	assembly grips	1
27	P00017-00	oil cylinder washer	1
28	F00039-00	U-ring	1
29	P00325-00	piston shaft washer	1
30	P00326-00	assembly oil cylinder locknut	1
31	P00021-00	screw	12
32	A00104-00	assembly air cylinder	1
33	F00040-00	O-ring	1
35	A00105-00	assembly piston	1
36	F00008-00	O-ring	1
37	P00027-00	piston pedestal	1
38	F00009-00	O-ring	1
39	P00028-00	air cylinder pedestal	1
40	P00029-00	screw	1
41	P00314-00	spring	1
42	P00373-00	switch lower base	1
43	F00011-00	O-ring	3
44	F00010-00	O-ring	1
45	P00330-00	switch upper base	1
46	F00106-00	O-ring	1
47	A00103-00	assembly trigger shaft	1
48	F00012-00	O-ring	1
49	P00334-00	oil cylinder gasket	1

DNPB328 – PARTS LIST

PART POSITION	PART CODE	DESCRIPTION	QTY in Tool/Kit
50	P00034-00	lever	1
51	F00013-00	pin	3
52	P00035-00	connecting rod	1
53	P00058-77	short trigger red	1
54	F00014-00	pin	1
55	P00336-00	wire circlip	1
56	P00337-00	sleeve	1
57	F00005-00	O-ring	1
58	F00015-00	air adaptor standard	1
59	A00117-00	assembly air adaptor with hose w/o switch	1
60	F00016-00	O-ring	3
61	P00164-00	assembly air adaptor joint	1
62	F00048-00	A-circlip	1
63	P00488-00	M8 transfer bar washer	1
64	P00150-00	swivel joint - optional supply, part of A00117-00	0
65	P00311-00	locknut	1
Accessories Pack	P03010-00	mandrelM3 metric	1
Accessories Pack	P03009-00	mandrelM4 metric	1
Accessories Pack	P03008-00	mandrelM5 metric	1
Accessories Pack	P03007-00	mandrelM6 metric	1
Accessories Pack	P00492-00	transfer bar M3	1
Accessories Pack	P00490-00	transfer bar M4	1
Accessories Pack	P00491-00	transfer bar M5	1
Accessories Pack	P00493-00	transfer bar M6	1
Accessories Pack	P00484-00	M3 transfer bar washer	1
Accessories Pack	P00485-00	M4 transfer bar washer	1
Accessories Pack	P00486-00	M5 transfer bar washer	1
Accessories Pack	P00487-00	M6 transfer bar washer	1
Accessories Pack	P00310-00	anvil M3	1
Accessories Pack	P00309-00	anvil M4	1
Accessories Pack	P00308-00	anvil M5	1
Accessories Pack	P00307-00	anvil M6	1
Accessories Pack	P00311-00	locknut	4
Accessories Pack	P00393-00	air flow adjuster	1
Accessories Pack	F00010-00	O-ring	1
Accessories Pack	F00011-00	O-ring	3
Accessories Pack	F00012-00	O-ring	1
Accessories Pack	F00106-00	O-ring	1

DNPB328 – PARTS LIST

PART POSITION	PART CODE	DESCRIPTION	QTY in Tool/Kit
Accessories Pack	A00009-00	oil injector set	1
Accessories Pack	P09051-00	hook	1
Accessories Pack	P09052-00	wrench	1

DAFRA
in Riveting Stuff
dafra.com.au